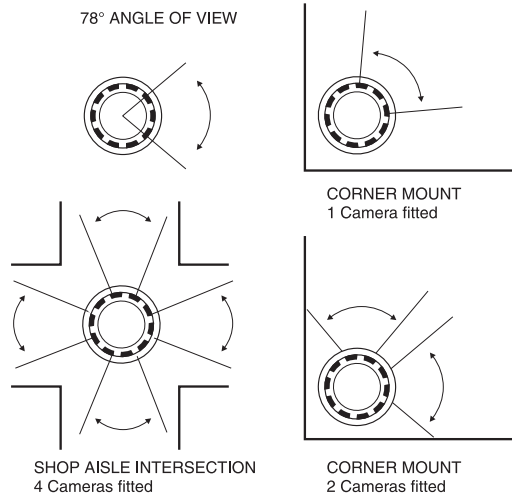


Hidden Camera

SMOKE DETECTOR CAMERA



**COVERT SURVEILLANCE • TOTALLY HIDDEN CAMERA • B/W OR COLOUR
• EASY INSTALLATION • HOUSES MULTIPLE CAMERAS**

ESD120 / ESD220

Covert B/W or colour camera hidden in a smoke detector housing.

The camera is completely invisible in a side-looking position behind the smoke detector mesh.

Supplied with a wide angle 4.3mm macro lens.

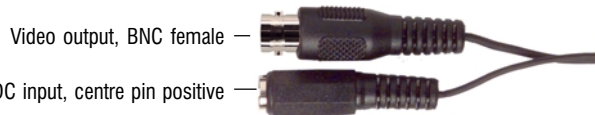
A total of 4 B/W or 2 colour cameras can be installed in each smoke detector housing, each facing in a different direction, (always supplied with one (1) camera).

Perfect for covert surveillance of shop aisles, corner positions, intersecting corridors.

THE CAMERA IS HOUSED IN A SMOKE DETECTOR SHELL.
THIS IS NOT A WORKING SMOKE DETECTOR.

SPECIFICATIONS

| | ESD120 | ESD220 |
|------------------------|-----------------------------|------------------|
| Imaging device | 1/3" B/W CCD | 1/3" Colour CCD |
| Picture elements | 500 x 580 | 512 x 580 |
| Horizontal resolution | 420 TV lines | 380 TV lines |
| Sensitivity | 0.04 lux @ F2.0 | 2 lux @ F2.0 |
| S/N ratio | Over 48dB | Over 48dB |
| Electronic shutter | Up to 1/100,000 | Up to 1/100,000 |
| Backlight compensation | Yes | Yes |
| Gamma correction | >0.45 | >0.45 |
| Video output | 1.0V p-p, 75 Ohm | 1.0V p-p, 75 Ohm |
| Power requirements | 12V DC ±10% | 12V DC ±10% |
| Current draw | 150mA max. | 250mA max. |
| Sync. mode | Internal sync. | Internal sync. |
| Lens mount | M12 x P0.5 | M12 x P0.5 |
| Dimensions | 150mm (dia) x 50mm (height) | |
| Operating temperature | -10°C to +50°C | 0°C to +50°C |



© 2007 Ness Security Products Pty Ltd/ABN 28 069 984 372
100-300_smokedcam_pms041201

- 100-300 ESD120 B/W Smoke detector camera
- 100-300dummy Dummy housing only
- 100-301 ESD220 Colour Smoke detector camera



- SYDNEY
02 8825 9222
- MELBOURNE
03 9878 1022
- BRISBANE
07 3343 7744
- PERTH
08 9328 2511
- ADELAIDE
08 8277 7255
- NZ (NFS SECURITY)
+64 9 573 0401
- HONG KONG
+852 2721 8097