

FRP POST AND RAIL

FRP is a modular post and rail system manufactured from Fibreglass Reinforced Plastic or (FRP).

FRP is an engineered composite material and is particularly well-suited to corrosive environments such as industrial and chemical plants. It is a low maintenance material with low electrical and thermal conductivity. It is strong, lightweight and has solid colour moulded in.

Using FRP tube and fittings allows easy fabrication in the field using only basic tools without the need for welding.

It is ideal for pedestrian management and forklift separation installations.



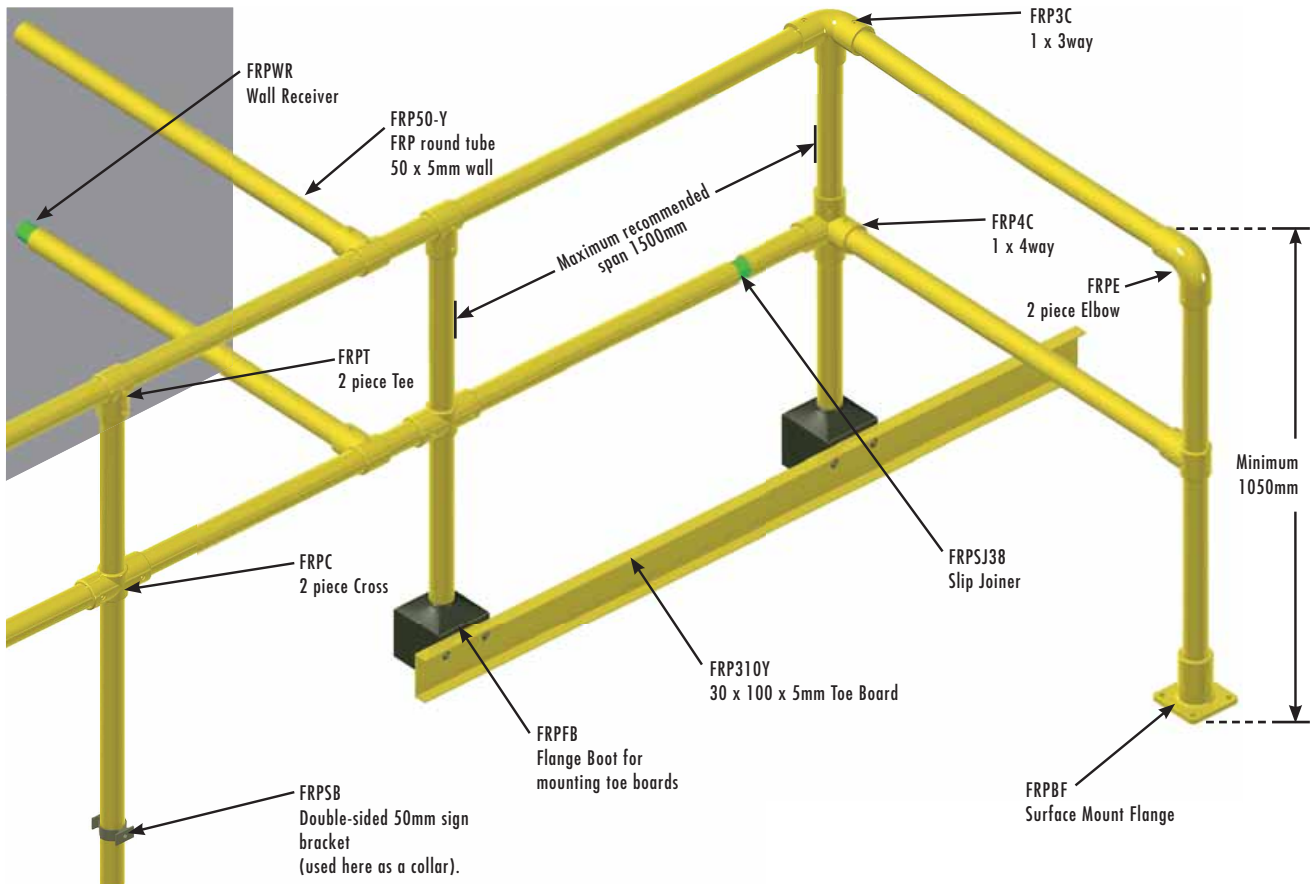
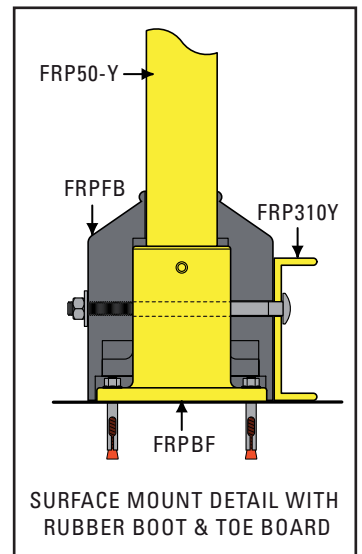
Value Features:

- » Strength with flexibility and light weight.
- » Solid colour won't rot, rust, fade or peel.
- » U.V. stabilised.
- » Easy to process using basic hand tools, no welding.
- » Non-conductive. Corrosion and chemical resistant.
- » FRP Post & Rail installations can be dismantled or modified at any time.
- » The ability to absorb minor impacts without damage.

Specifications:

Description:	Fibreglass Reinforced Plastic (FRP).
Material:	Posts and rails – 50mm O.D. with 5mm wall thickness. Toe boards – 30 x 100 x 5mm channel.
Finish:	Solid colour.

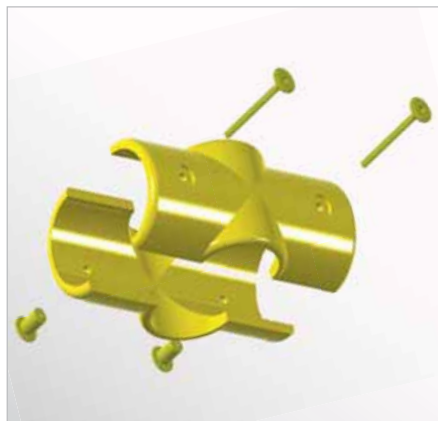
PART No.	DESCRIPTION
FRP50-Y	FRP tube 50 O.D. x 40 I.D. x 5mm wall
FRPSJ38	Slip Joiner for rails
FRP310Y	FRP toe board 30 x 100 x 5mm (Yellow)
FRPT	2 piece tee with fixings
FRPC	2 piece cross with fixings
FRPE	2 piece elbow with fixings
FRP3C	1 piece 3way connector
FRP4C	1 piece 4way connector
FRPBF	Surface mount base flange
FRPFB	2 piece rubber toe flange boot with fixings
FRPWR	Steel wall receiver for tube
FRPCAP	Plastic cap for tube
FRPSB	Double-sided 50mm sign post bracket



FRP COMPONENTS



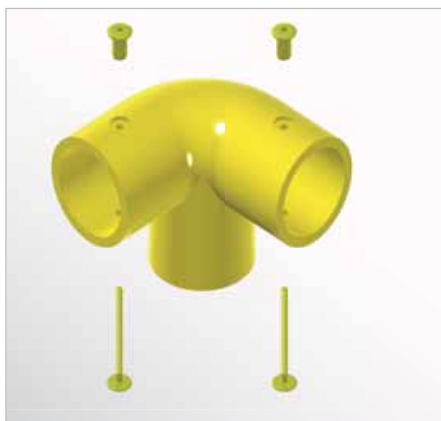
FRPT-Tee.



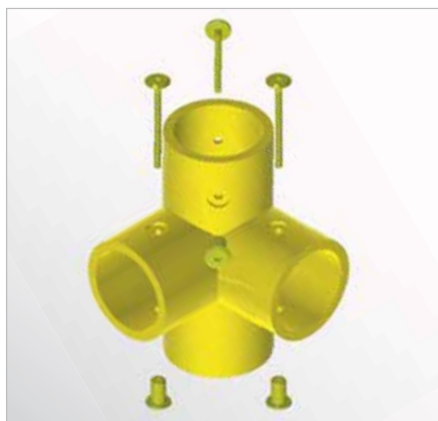
FRPC-Cross.



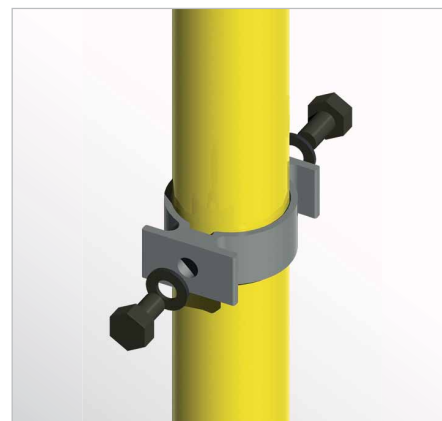
FRPE-Elbow.



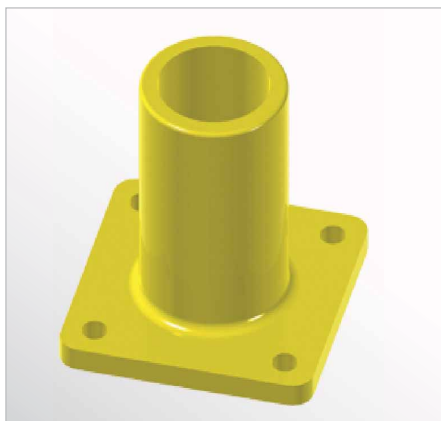
FRP3C-3way.



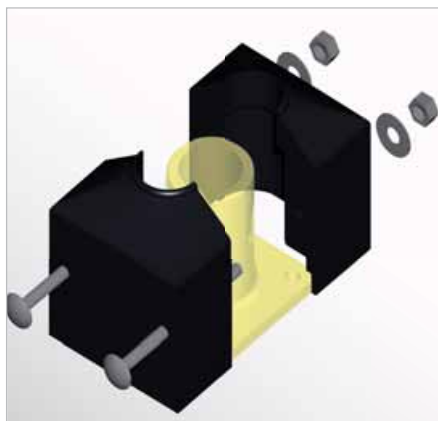
FRP4C-4way.



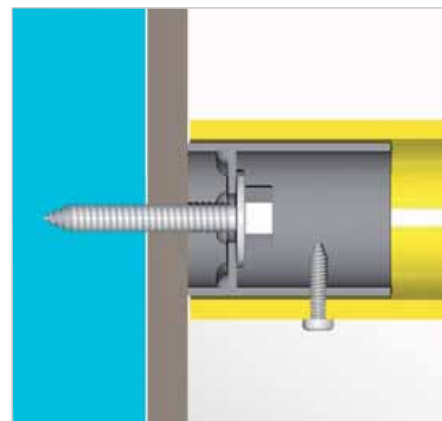
FRPSB Double-sided sign bracket.



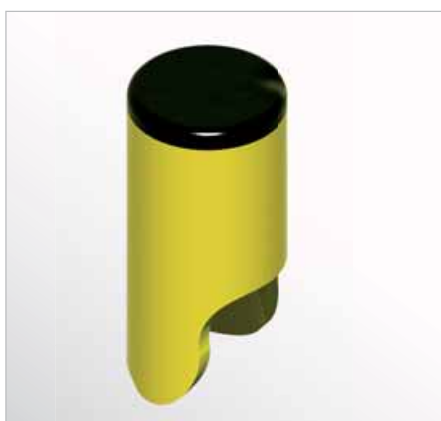
FRPBF-Base flange.



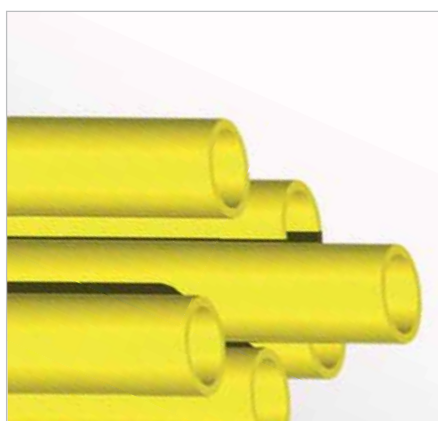
FRPFB-Flange boot.



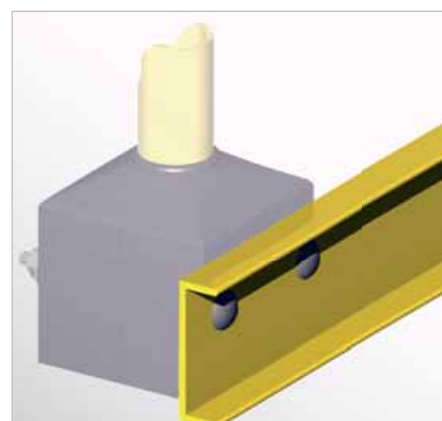
FRPWR-Wall receiver.



FRPCAP.



FRP50Y-Rail
50mm O.D. x 40mm I.D. x 5 metres.



FRP310Y-Toe board
(30 x 100 x 5mm Channel).