

U-BARS – Light Duty

These versatile U-Bars have a wide range of applications including handrails, bike storage, pedestrian chicanes at crossing points and impact protection barriers to name a few.

Manufactured from 3mm wall steel pipe 48mm in diameter and hot dip galvanised as standard. Available in either surface mount or below ground models in square or round styles.

All models stand 800mm high. The below ground models can be set deeper into their concrete footings to achieve a lower profile if required. Powder coating or reflective bands available as an option if required.

Ideal for schools, shopping centres, walkways or warehouses.



2

One piece design

All BR1 & BR2 model 'U' bars are manufactured from a single piece of steel tube. Base plates or concrete starter bars are welded and then the entire U-bar is hot dip galvanised as a single unit.

Value Features:

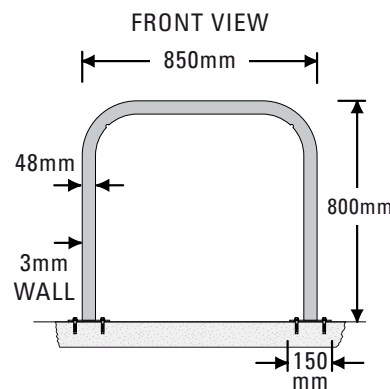
- » Suitable for a wide range of uses.
- » Heavy 3mm thick wall tube.
- » Hot dip galvanised finish.
- » Powder coating or reflective options available.
- » Surface mount and below ground models.
- » Two styles to choose from.
- » Surface mount supplied with fixings.
- » No assembly – ready for installation.

Specifications:

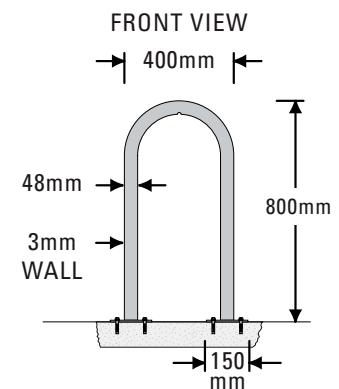
Description:	One piece steel U-Bars.
Material:	Steel pipe 48mm diameter with 3mm wall.
Finish:	Hot dip galvanised (powder coating optional).
Height:	Above ground 800mm. Below ground 300mm.
Width:	BR1 models 850mm. BR2 models 400mm.
Weight:	BR1 models approx. 9.2kgs. BR2 models approx. 8.5kgs.
Installation:	6mm thick surface flange 150mm in diameter with 6 of 10 x 50mm masonry anchors for surface mount model. Below ground model has welded concrete starter bars.
Fixings:	Supplied with surface mount models.

PART No.	DESCRIPTION
BR1G-SM	U-Bar/Bike rail 850W x 800H surface mount
BR1G-BG	U-Bar/Bike rail 850W x 800H below ground
BR2G-SM	U-Bar/Bike rail 400W x 800H surface mount
BR2G-BG	U-Bar/Bike rail 400W x 800H below ground

SURFACE MOUNT MODEL

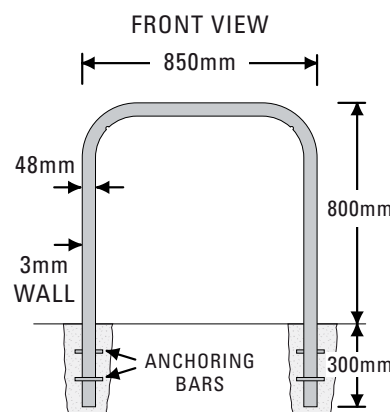


BR1G-SM - BIKE RAIL 850x800H

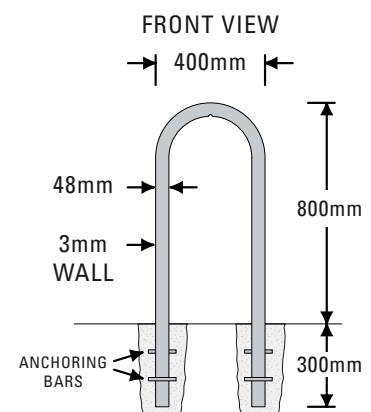


BR2G-SM - BIKE RAIL 400Wx800H

BELOW GROUND MODEL



BR1G-BG - BIKE RAIL 850x800H



BR2G-BG - BIKE RAIL 400x800H