

Ness GSM Dialler



**Compatible with all
Ness control panels**

**Supply your own SIM card or take advantage
of discounted GSM access from Ness.**

Full time GSM monitoring – No landline required!

106-097



GSM Dialler only

106-096



GSM Dialler inc
Ness SIM Card

Both models include Power Supply, Internal
Backup Battery, External Antenna with 5m Cable

The Ness GSM Dialler provides a full time GSM pathway for alarm diallers to communicate in the absence of a land line.

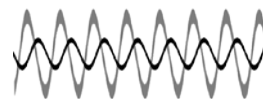
Ideal for “Naked phone line” households, remote locations and anywhere you need easy and reliable dialler monitoring via GSM.

- Plug-and-go operation - no programming required.
- Antenna with magnetic base supplied - long cable allows the unit to be installed in a secure housing.
- Backlit LCD display shows system status and call progress.
- Available with Ness SIM card or BYO SIM.
- Plug pack powered with onboard battery backup.

Control Panel / Dialler



GSM Unit



GSM COMMS TO
CENTRAL STATION



NO LANDLINE REQUIRED

Ness GSM Dialler

SPECIFICATIONS

GSM COMPATIBILITY	GSM module compatible with GSM voice communications
SIM CARD	Available with or without Ness SIM Card (Locked)
ALARM PANEL COMPATIBILITY	Compatible with all Ness alarm diallers in Contact ID DTMF and Voice formats
OPERATING VOLTAGE	12VDC plug pack supplied
BATTERY BACKUP	Internal rechargeable battery
ANTENNA	0dB whip with magnetic base, 5m cable length
DIMENSIONS	250 x 140 x 60mm
WEIGHT	1.5kg
OPERATING TEMPERATURE	0°C to +50°C

DISPLAY & LEDS



POWER LED
When on indicates mains and battery are connected

SIGNAL LED
OFF: No GSM network.
FLASHING: SIM card not found.
ON: Connected to GSM network.

SIGNAL STRENGTH INDICATOR



Display during power up.

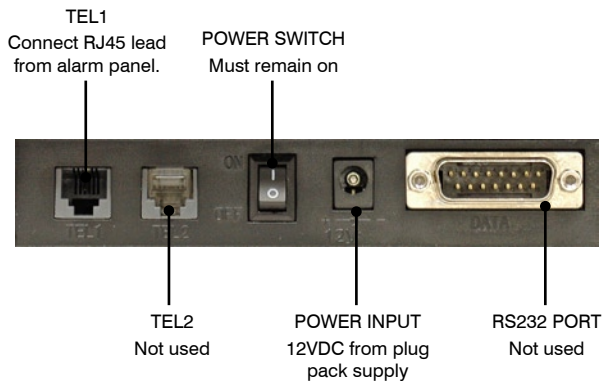


Normal standby condition.



The telephone number is displayed as it is dialled by the alarm panel.

REAR PANEL & CONNECTIONS



SYDNEY 02 8825 9222
sales@ness.com.au

MELBOURNE 03 9875 6400
nessmelb@ness.com.au

BRISBANE 07 3399 4910
nessbris@ness.com.au

PERTH 08 9328 2511
nessper@ness.com.au

ADELAIDE 08 8152 0000
adelaide@ness.com.au

NFS (NZ) 09 580 1576
sales@nfs.co.nz



www.ness.com.au



Quality
ISO 9001
NSW Head Office only