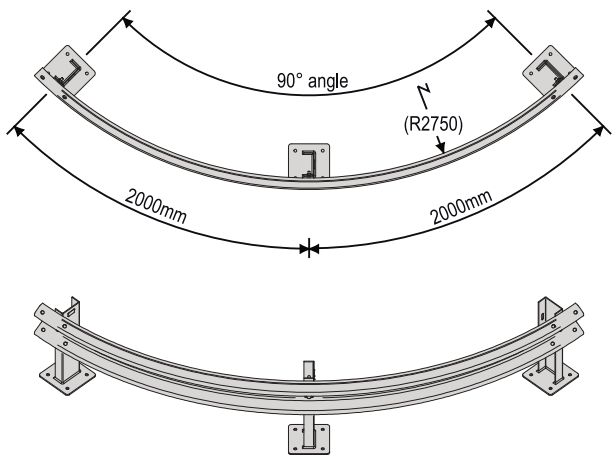
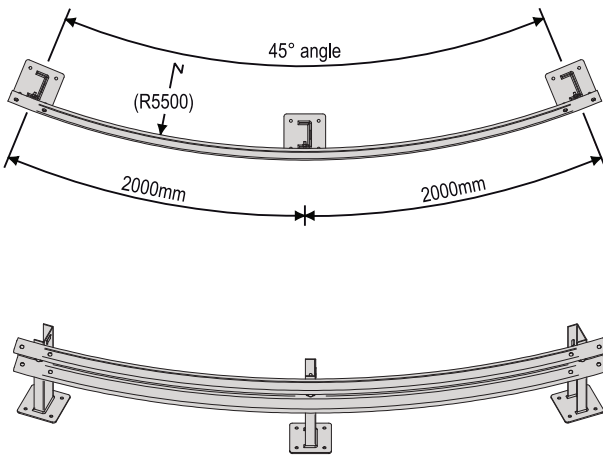




Shown with Ball-Fence handrail system.

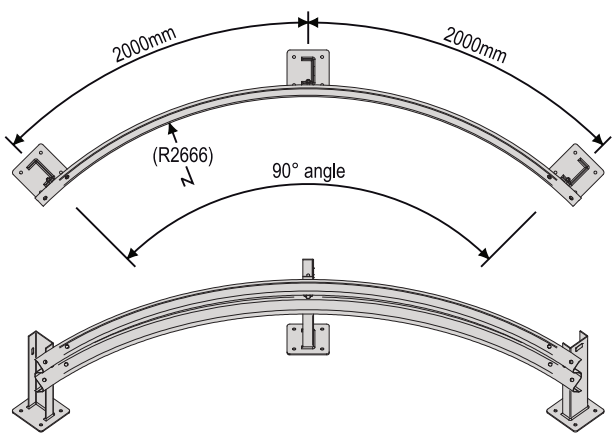
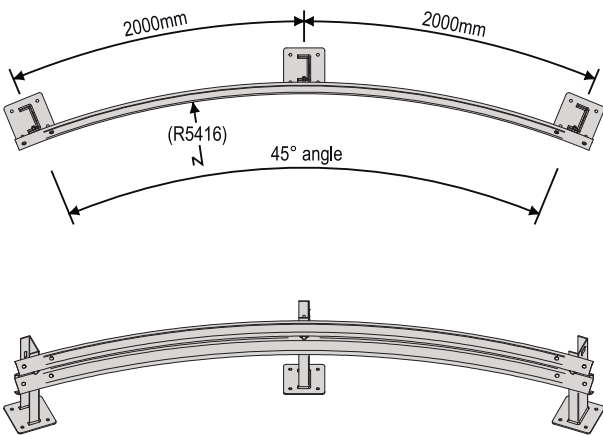
PART No.	STRAIGHT RAILS
WBR500-2G	W-Beam rail for 0.5 metre centres (requires 2 posts)
WBR1000-2G	W-Beam rail for 1 metre centres (requires 2 posts)
WBR1500-2G	W-Beam rail for 1.5 metre centres (requires 2 posts)
WBR2000-2G	W-Beam rail for 2 metre centres (requires 2 posts)
WBR2500-2G	W-Beam rail for 2.5 metre centres (requires 2 posts)

PART No.	STRAIGHT RAILS
WBR3000-3G	W-Beam Rail for 3 metre centres (requires 3 posts)
WBR3500-3G	W-Beam Rail for 3.5 metre centres (requires 3 posts)
WBR4000-3G	W-Beam Rail for 4 metre centres (requires 3 posts)
KIT10	W-Beam Splice Fixing Kit (8 off M16 x 32 bolts with nuts)



PART No.	EXTERNAL CURVED RAILS
WBR45EX	W-Beam 45 degree curved rail – External

PART No.	EXTERNAL CURVED RAILS
WBR90EX	W-Beam 90 degree external curved rail – External



PART No.	INTERNAL CURVED RAILS
WBR45IN	W-Beam 45 degree curved rail – Internal

PART No.	INTERNAL CURVED RAILS
WBR90IN	W-Beam 90 degree curved rail – Internal