

KELRYAN



Ball-Fence Hand Rail System

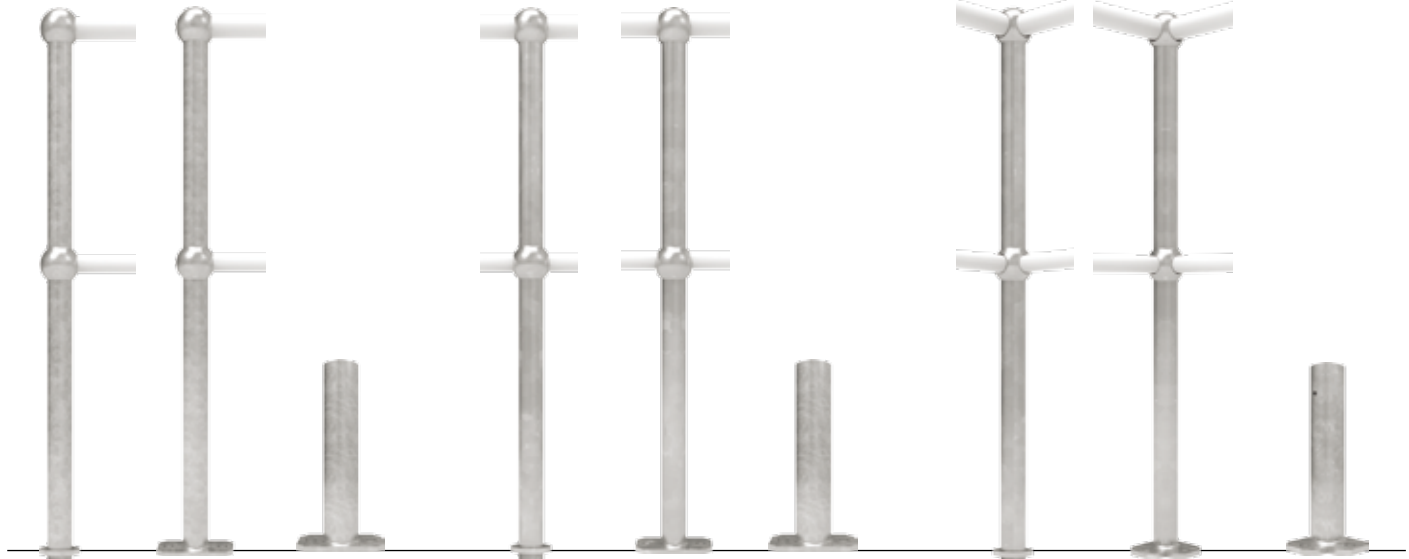
Galvanised steel safety barriers are designed to separate pedestrians from forklifts to prevent injury or fatality. Ball-Fence is a modular handrail system that includes stanchions, a top handrail and a centre knee-rail. Design flexibility is a strength of the Ball-Fence, using galvanised post and rail components that can be configured to suit any requirement or length. Industrial swing gates, guardrails and asset protection options are also available to enhance the safety features of the range. Usually the Ball-Fence components are assembled on site, but can be partially assembled in our factory and delivered in sections for simple installation.

Stanchions are supplied with fixings.

1 Year Factory Warranty



KELRYAN



BFEP-BG End post – below ground
BFEP-SM End post – surface mount
BFTP-AF Adjustable foot – inline

BFTP-BG Through post – below ground
BFTP-SM Through post – surface mount
BFTP-AF Adjustable foot – inline

BFCP-BG Corner post – below ground
BFCP-SM Corner post – surface mount
BFCP-AF Adjustable foot – corner



BFTP-S90
 Through post
 – side mount

BFCB
 Closure bend
 90° angle

BFB25 Bend 90° x 25 N.B.
BFB32 Bend 90° x 32 N.B.

BFB25-45 Bend 45° x 25 N.B.
BFB32-45 Bend 45° x 32 N.B.

BFEP-WB
 W-Beam/Ball-Fence
 end post

BFTP-WB
 W-Beam/Ball-Fence
 through post

KELRYAN



BFTP-SM30
Through post 30° angle
– surface mount



BFTP-S30R
Through post 30° angle
– right side mount



BFTP-S30L
Through post 30° angle
– left side mount



BFCB30
Closure bend
30° angle



BFTP-SM45
Through post 45° angle
– surface mount



BFTP-S45R
Through post 45° angle
– right side mount

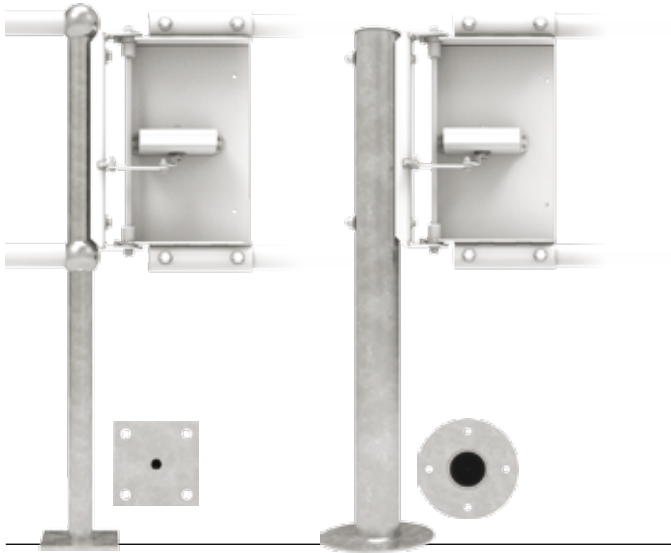


BFTP-S45L
Through post 45° angle
– left side mount



BFCB45
Closure bend
45° angle

KELRYAN



BFGPWB-SM
Ball-Fence gate post
(Gate fixings supplied)

BFGP90SM
90mm surface mount bollard – HDG+PC
BFGP90SM-G (shown)
90mm surface mount bollard – HDG
(Gate fixings supplied)



BFG-P Ball-Fence gate (includes 1.5 metre hoop) – Powder coated aluminium



BFG Ball-Fence gate (includes 1.5 metre hoop) – Natural aluminium



DGL43-G Double gate latch – Galvanised



BFHR Hand rail 32 N.B. x 6 metres
BFKR Knee rail 25 N.B. x 6 metres



BFSJ32 Slip joiner 32 N.B.
BFSJ25 Slip joiner 25 N.B.
BFTP Taper pin for joiner



BFTB-G Ball-Fence toe board 100 x 6 x 6 metres



BFTBSC-G Toe board saddle clamp
BFTBCC-G Toe board corner clamp

KELRYAN

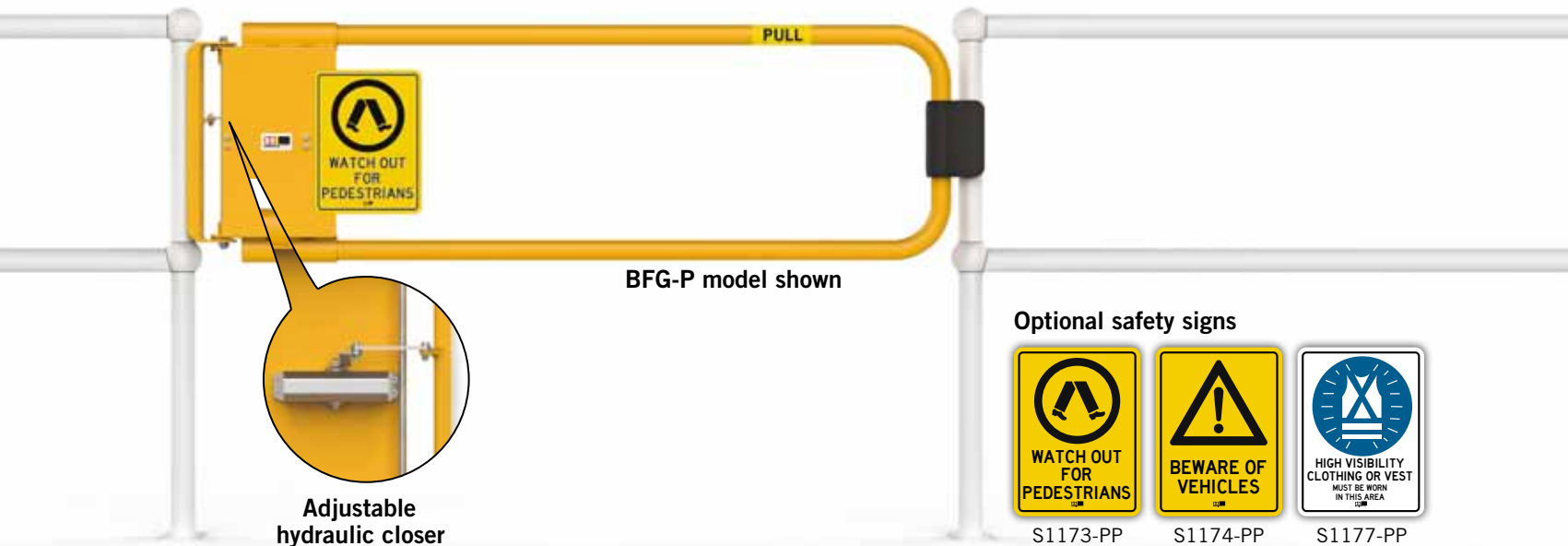
Ball-Fence Gate

A robust self-closing pedestrian gate with an adjustable length aluminium hoop, designed to be paired with our Ball-Fence railing system. Features a fully adjustable hydraulic closer.

PART No.	DESCRIPTION
BFG	Ball-Fence gate with raw aluminium hoop (14kgs)
BFG-P	Ball-Fence gate with Yellow powder coated aluminium hoop (14kgs)
KIT23	Gate to post fixing kit – Up to 63mm diameter posts
KIT24	Gate to post fixing kit – Up to 90mm diameter posts
BFGP90SM	90mm surface mount post for Ball-Fence gate – Powder coated Yellow
BFGP90SM-G	90mm surface mount post for Ball-Fence gate – Galvanised
BFGPWB-SM	Ball-Fence gate post – 48 x 1017mm

Description:	Self-closing safety gate
Operation:	Hydraulic spring assistance
Construction:	Steel chassis with aluminium hoop
Gate Swing:	90 degrees
Gate Stop:	Built-in
Receiver Post:	Optional
Maximum Opening:	1500mm wide
Minimum Opening:	1000mm wide
Mounting Type:	Post or wall
Gate Hoop:	42.4mm diameter aluminium
Gate Height:	1000mm above floor
Finish:	Hot Dip Galvanised or Powder Coated

1 Year Factory Warranty



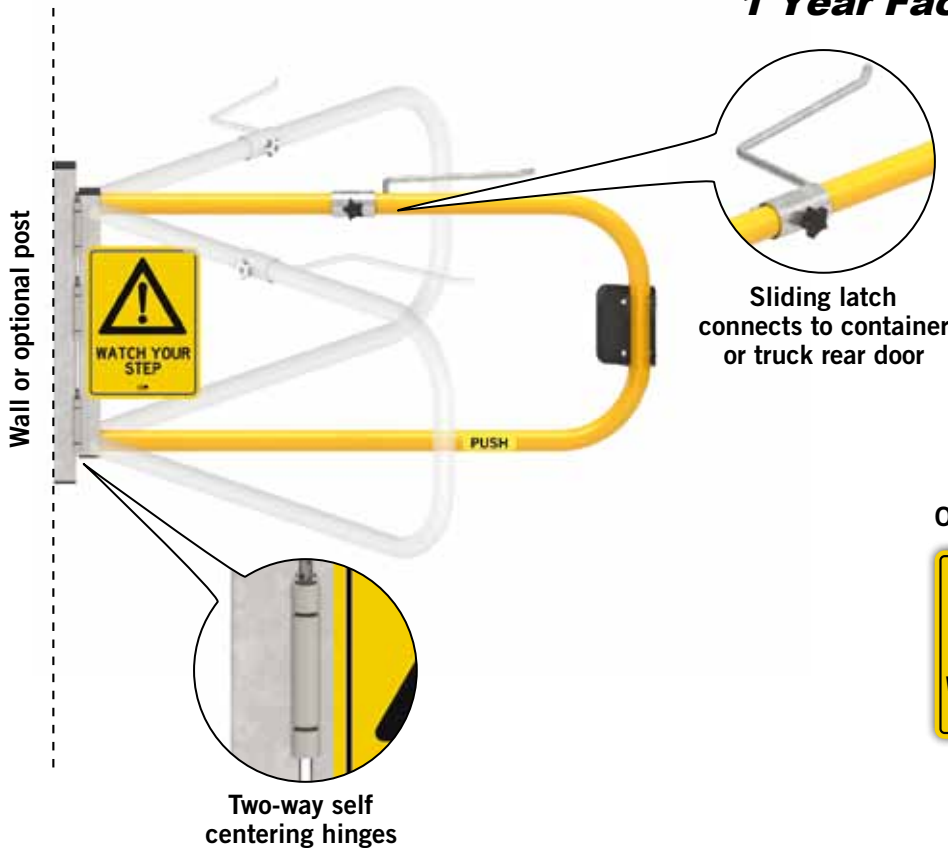
Loading Dock Gate

One and two-way spring-return gates designed to reduce operator falls by closing the gap between the rear end of trucks and the exposed dock edges on elevated loading docks.

PART No.	DESCRIPTION
LDG1000-90	Loading dock gate – 1000mm with 90 degree opening (10kgs)
LDG1000-180	Loading dock gate – 1000mm with 180 degree opening (10kgs)
CS90SM	Optional 90 x 90 x 1000mm high post

Description:	1-way and 2-way safety gates
Operation:	Spring-return
Construction:	Steel chassis with aluminium hoop
Gate Swing:	90 or 180 degrees
Gate Stop:	Self-centering
Receiver Post:	N/A
Maximum Opening:	1000mm wide
Minimum Opening:	600mm wide
Mounting Type:	Post or wall
Rail Type:	42.4mm diameter aluminium hoop
Rail Height:	1000mm above floor
Finish:	Powder coated

1 Year Factory Warranty



Optional safety signs



S1175-PP



S1174-PP



S1176-PP