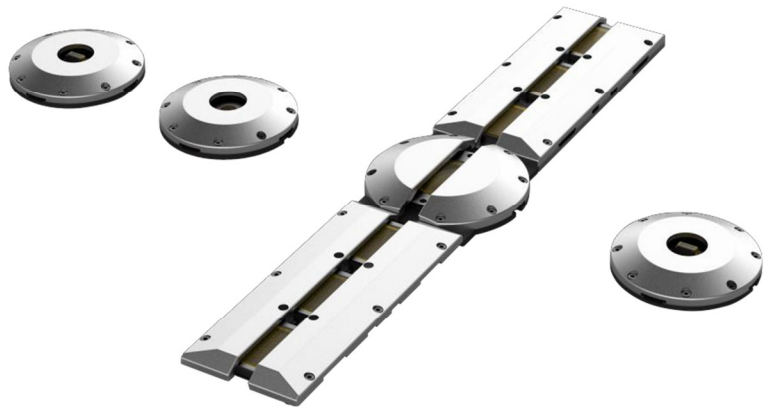


MV-PD-030001-01(02)

Fixed Under Vehicle Surveillance System (UVSS)

- 2048 x 12000 Resolution, Supports Tiled Display
- Matching High Speed/Non-Uniform Movement, w/No Motion Blur
- FOV $\geq 180^\circ$
- Automatic Trigger, Optional Photoelectric or Sense Coil
- Waterproof, Anti-Fog, Anti-Corrosion
- Supports Heavy Vehicles
- Illumination Optimized for Vehicle Undercarriage
- Accessible to Hikvision Platform, ANPR, Custom Client's Requirements
- Compatible with GigE Vision Protocol and Third-Party Platforms



Hikvision's MV-PD-030001-01(02) Fixed Under Vehicle Surveillance System (UVSS) is an information management system that integrates with automatic collection of underlying vehicle image, display, and storage functions. Through accurate real-time scanning of the underlying vehicle image, synchronous displaying the broad and full image of the vehicle undercarriage on the monitor, and sorting stored data, this system can effectively prevent car bombs, hidden weapons, biochemical hazardous goods, and dangerous people from entering and/or exiting the facilities.

This UVSS improves detection speed, accuracy, and security level, while minimizing human resources and capital investment.

Application Scenarios

Anti-Terrorist Inspection. Monitoring entrances and exits in key areas (e.g., airports, prisons, important material warehouses, oil depots, bank of reservoir areas etc.).

Security Inspection. Inspecting entrances and exits of key areas for security (e.g., government, army, public security organization, defense industry enterprise, embassies, consulates, etc.).

Customs Border Inspection.

Parking Entrance Inspection.

Available Models:

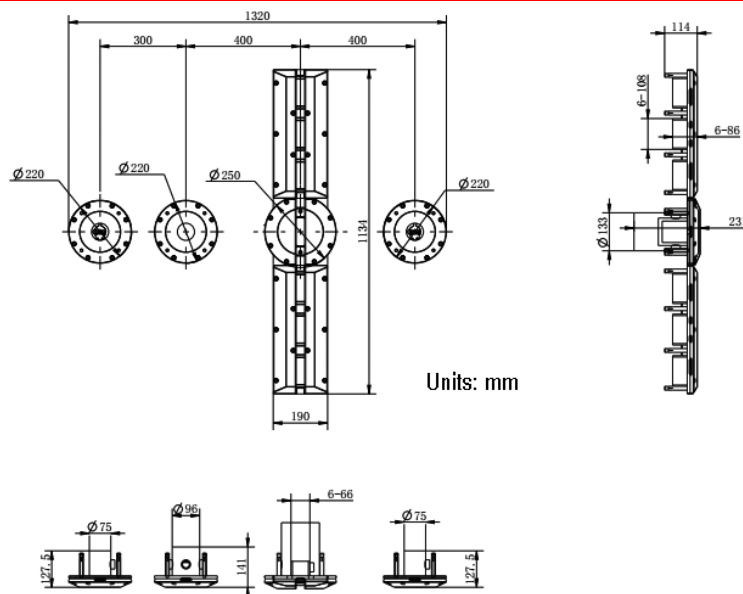
MV-PD-030001-01: Photoelectric trigger

MV-PD-030001-02: Coil trigger

Specifications

	MV-PD-030001-01	MV-PD-030001-02
Description	Fixed under vehicle surveillance system	
Maximum Resolution	2048 x 12000	
Trigger	Photoelectric	Coil
FOV	≥ 180°	
Vehicle Chassis Width	13.12 ft ≤ 4000 mm	
Vehicle Chassis Height	2.36" ≥ 60 mm	
Detection Speed	18.64 mph ≤ 30 km/h, real-time speed matching	
Picture Format	BMP/JPEG	
Power Consumption	220 VAC, 400 W	
Working Temperature	-22° to 158° F (-30° to 70° C)	
Protection Level	IP68	
Load-Bearing	60,000 lbs	
OS	Windows XP/7/8	

Dimensions



Typical Application

